

# WP2 Weatherproof IP65 T5 Batten Range Wide Body - Single & Twin Lamp

CAT NO. 684929, 684930, 684931, 684932, 684933, 684934, 684935, 684936,  
684937, 684938, 684939, 684940, 684941, 684942, 684943, 684944,  
684945, 684946, 684947, 684948, 684949, 685000, 685001, 685002



- Premium quality weatherproof T5 Battens with matching Emergency and Axiom Network versions available
- Ideal for use in marine environment, or areas with high concentration of steam or fumes – laundries, swimming pools, washrooms, breweries, road & rail tunnels, general outdoor applications
- Body – rigid construction in grey finish with highly rigid glass reinforced polyester (GRP) bodies
- Diffuser – injection moulded polycarbonate (PC) diffuser, UV stabilised for high impact resistance. Provides high light transmittance for maximum Light Output Ratio (LOR)
- IP65 rated using water-tight natural silicone gel gasket
- Mounting clips are Stainless 316 grade – with provision for hanging in open position
- Low smoke/halogen free (LSHF)
- Australian manufactured geartray, comprising highly reflective powder coated steel plate
- Easy to install and maintain, easy upgrade to LED light engine, motion sensing etc.
- Complies with AS/NZS 60598.1 and CISPR15:2006.

## Mains

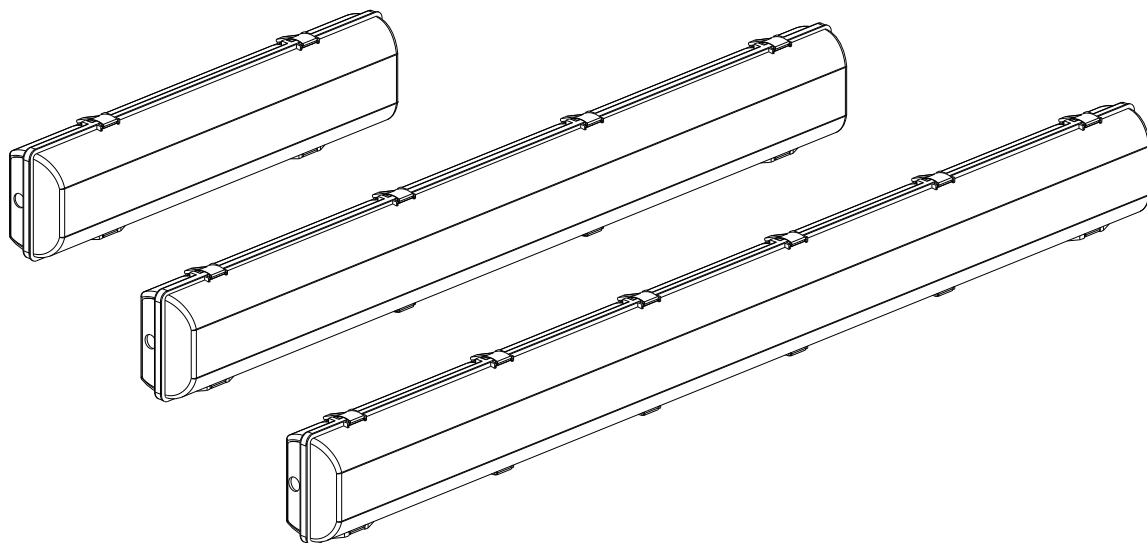
Product Specifications						
<b>Variant</b>	Single 600mm	Twin 600mm	Single 1200mm	Twin 1200mm	Single 1500mm	Twin 1500mm
<b>Cat. No</b>	684929	684930	684931	684932	684933	684934
<b>Lamp*</b>	T5 14 Watts		T5 28 Watts		T5 35 Watts	
<b>Ballast</b>	Non-Dimmable Electronic T5 EEI=A2					
<b>Line Current (A) 240V 50Hz</b>	0.08	0.15	0.14	0.28	0.17	0.35
<b>Power factor</b>	0.85	0.96	0.95	0.98	0.96	0.98
<b>Circuit Power (W)</b>	16.5	32.0	31.0	61.0	39.0	76.5
<b>Supply Voltage</b>	240V a.c. ( $\pm 6\%$ ) 50 Hz					
<b>Operating Temperature</b>	10°C to 40°C					
<b>Retaining Clips</b>	Stainless Steel 316 ( 14W 4-off, 28W 8-off, 35-W 12-off)					
<b>Body Construction</b>	Moulded glass reinforced polyester, low smoke, halogen free					
<b>Gasket</b>	Waterproof gasket in natural silicon gel					
<b>Geartray</b>	Polyester powder coated, mild steel universal geartray (made in Australia) LED upgradeable					
<b>Diffuser</b>	Reeded clear, injection moulded Polycarbonate - high transmittance					

\*Lamp not supplied (some projects excepted)

Photometric	1 x 14W	2 x 14W	1 x 28W	2 x 28W	1 x 35W	2 x 35W
<b>Light Output Ratio (LOR)%</b>	95.7	85.7	91.0	77.9	91.4	86.1
<b>SHR (nom C0-C180)</b>	1.41	1.52	1.37	1.47	1.43	1.47

Dimensions			
<b>Product</b>	671L x 164W x 105Hmm	1273L x 164W x 105Hmm	1573L x 164W x 105Hmm
<b>Mounting Centres</b>	230	812	1132

Packaging Specifications	14 Watts	28 Watts	35 Watts
<b>Carton Dimensions</b>	690 x 350 x 350mm	1295 x 350 x 240mm	1595 x 350 x 240mm



## Emergency - Stand alone

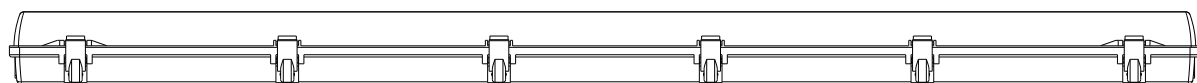
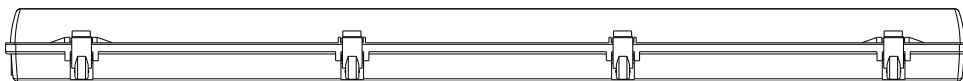
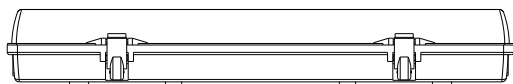
Product Specifications						
<b>Variant</b>	Single 600mm	Twin 600mm	Single 1200mm	Twin 1200mm	Single 1500mm	Twin 1500mm
<b>Cat. No</b>	684937	684938	684939	684940	684941	684942
<b>Lamp (excluded)</b>	T5 14 Watts		T5 28 Watts		T5 35 Watts	
<b>Ballast</b>	Non-Dimmable Electronic T5 EEI = A2					
<b>Line Current (A) 230V 50Hz</b>	0.08	0.15	0.14	0.28	0.17	0.35
<b>Power factor</b>	0.85	0.96	0.95	0.98	0.96	0.98
<b>Circuit Power (W)</b>	17	33	32	62	40	78
<b>Supply Voltage</b>	240V a.c. ( $\pm 6\%$ ) 50 Hz					
<b>Operating Temperature</b>	10°C to 40°C					
<b>Charging Current</b>	HRC: 4450mA to 350mA, LRC110mA to 80mA					
<b>Retaining Clips</b>	Stainless Steel 316 ( 14W 4-off, 28W 8-off, 35-W 12-off)					
<b>Body Construction</b>	Moulded glass reinforced polyester, low smoke, halogen free					
<b>Gasket</b>	Waterproof gasket in natural silicon gel					
<b>Geartray</b>	Polyester powder coated, mild steel universal geartray (made in Australia)					
<b>Diffuser</b>	Reeded clear, injection moulded Polycarbonate - high transmittance					

Photometric	1 x 14W	2 x 14W	1 x 28W	2 x 28W	1 x 35W	2 x 35W
<b>Emergency Classification C0/C90/C180</b>	D32/C40*	D32/C32/D40*	D50/C40*	D40/C50/D50*	*	*
<b>Battery Pack NiCd</b>	3 x D Cells		5 x D Cells		6 x D Cells	
<b>Replacement Battery Pack</b>	222023		201559		222026	

\*Updates Pending

Dimensions			
<b>Product</b>	671L x 164W x 105Hmm	1273L x 164W x 105Hmm	1573L x 164W x 105Hmm
<b>Mounting Centres</b>	230	812	1132

Packaging Specifications	14 Watts	28 Watts	35 Watt
<b>Carton Dimensions</b>	690 x 350 x 350mm	1295 x 350 x 240mm	1595 x 350 x 240mm



## Emergency - Axiom

Product Specifications						
Variant	Single 600mm	Twin 600mm	Single 1200mm	Twin 1200mm	Single 1500mm	Twin 1500mm
Cat. No	684945	684946	684947	684948	684949	685000
Lamp (excluded)	T5 14 Watts		T5 28 Watts		T5 35 Watts	
Ballast	Non-Dimmable Electronic T5 EEI = A2					
Line Current (A) 230V 50Hz	0.08	0.15	0.14	0.28	0.17	0.35
Power factor	0.85	0.96	0.95	0.98	0.96	0.98
Circuit Power (W)	17	33	32	62	40	78
Supply Voltage	240V a.c. ( $\pm 6\%$ ) 50 Hz					
Operating Temperature	10°C to 40°C					
Charging Current	HRC: 4450mA to 350mA, LRC110mA to 80mA					
Retaining Clips	Stainless Steel 316 ( 14W 4-off, 28W 8-off, 35-W 12-off)					
Body Construction	Moulded glass reinforced polyester, low smoke, halogen free					
Gasket	Waterproof gasket in natural silicon gel					
Geartray	Polyester powder coated, mild steel universal geartray (made in Australia)					
Diffuser	Reeded clear, injection moulded Polycarbonate - high transmittance					

Photometric	1 x 14W	2 x 14W	1 x 28W	2 x 28W	1 x 35W	2 x 35W
Emergency Classification C0/C90/C180	D32/C40*	D32/C32/D40*	D50/C40*	D40/C50/D50*	*	*
Battery Pack NiCd	3 x D Cells		5 x D Cells		6 x D Cells	
Replacement Battery Pack	222023		201559		222026	

\*Updates Pending

Dimensions			
Product	671L x 164W x 105Hmm	1273L x 164W x 105Hmm	1573L x 164W x 105Hmm
Mounting Centres	230	812	1132

Packaging Specifications	14 Watts	28 Watts	35 Watt
Carton Dimensions	690 x 350 x 350mm	1295 x 350 x 240mm	1595 x 350 x 240mm

Product specifications subject to change without prior notice.

## WP2 Weatherproof Axiom T5 Batten Range Wide Body - Single & Twin Lamp

CAT NO. **684929, 684930, 684931, 684932, 684933, 684934, 684935, 684936, 684937, 684938, 684939, 684940, 684941, 684942, 684943, 684944, 684945, 684946, 684947, 684948, 684949, 685000, 685001, 685002**

HPM Legrand - AUS  
1300 369 777  
www.legrand.com.au

Refer to your group buying office, HPM Legrand Sales Representative or  
HPM Legrand Sales Office for pricing.

HPM Legrand - NZ  
0800 476 009  
www.legrand.co.nz