



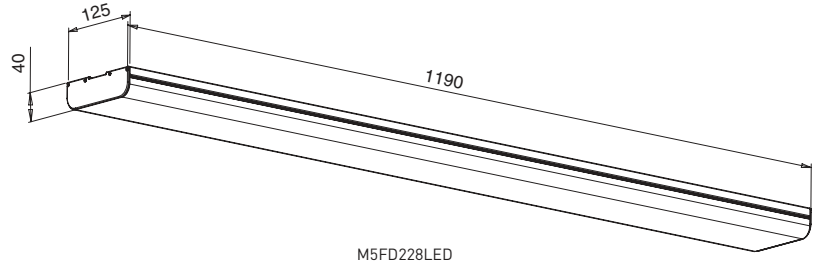
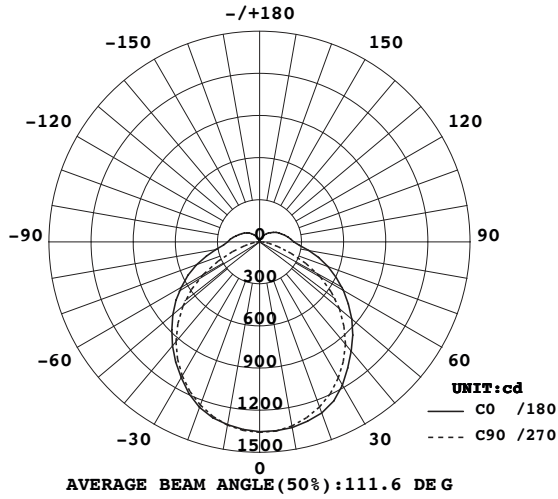
A brand of **legrand**

# Linea LED Instruction sheet

Cat. No. M5FD228LED

## Instruction Sheet

### LUMINOUS INTENSITY DISTRIBUTION DIAGRAM



Please read instruction sheet before commencing installation. Installation must be performed by a registered electrical contractor.

## 1 Description

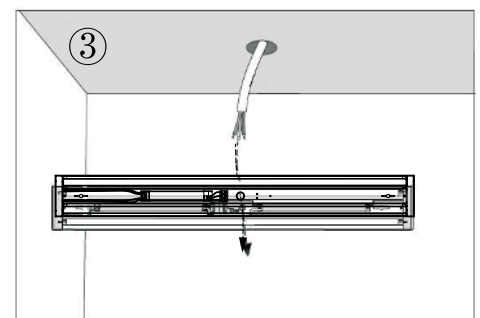
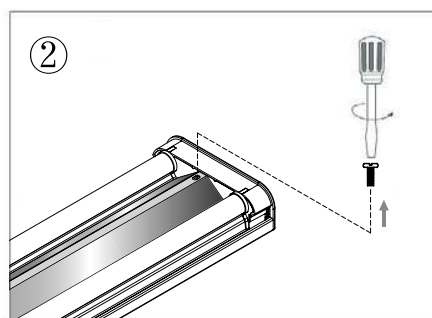
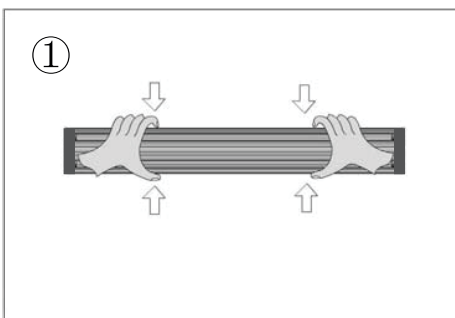
|                                 |                 |
|---------------------------------|-----------------|
| Cat. no.                        | M5FD228LED      |
| lumen package                   | 4400lm          |
| Efficacy                        | 110 lm/W        |
| CCT                             | 4000K           |
| Supply Voltage                  | 230-240V ~ 50Hz |
| Input Power                     | 40W             |
| Input current                   | 0.17A           |
| Power Factor                    | 0.99            |
| Colour Rendering Index (CRI)    | 80+             |
| Lifespan (In open air at 25 °C) | 40,000hrs       |
| Dimming                         | Non Dimmable    |
| IP Rating                       | N/A             |
| Warranty                        | 3 yrs           |

## 2 Installation Instructions

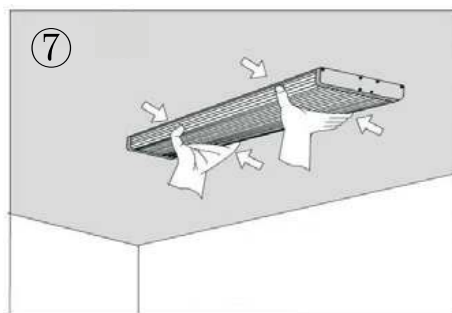
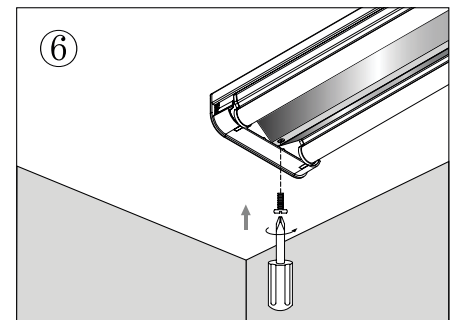
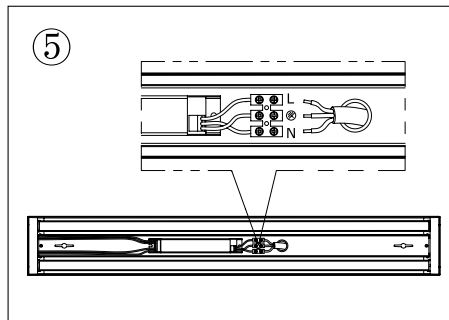
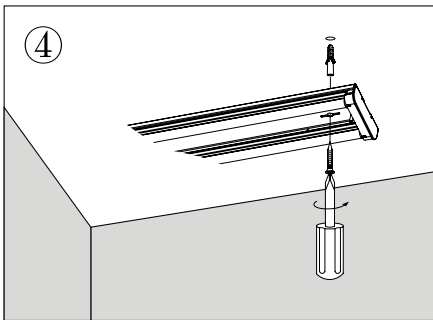
Isolate 240V mains supply before opening fitting for maintenance or installation

Follow the steps below.

1. Remove diffuser by squeezing at the base and pulling at the same time.
2. Undo 2x screws as shown to remove the reflector and expose the Terminal block.
3. Insert mains wiring through grommet.
4. Fix the Luminaire body onto the wall / ceiling with screws and lugs provided.
5. Connect the active, neutral and earths supply wires to the terminal block as shown.
6. Assemble reflector and tighten screws to Maximum torque 0.3 N m.
6. Assemble diffuser by squeezing and locating in slots. Apply light pressure and ensure lip is located throughout the length of body.
6. DO NOT MEGGER TEST



## 2 Installation Instructions



## 3 Maintenance / Cleaning

This Product should only be cleaned with a damp cloth. Cleaning agents and solvents should not be used.

### Disclaimers

**1.** This product must be installed and used as per these instructions. **2.** The mounting screws on this product should be tightened to a maximum torque of 0.8Nm. Over tightening may damage the product. **3.** This product contains no serviceable parts and no attempt should be made to repair it. If the product is faulty it should be discarded. **4.** This product is not suitable for installation in hazardous and/or corrosive areas. **5.** This product is not dimmable. **6.** Electrical installations periodically receive transient over voltages. This product has been designed to minimise the effect of such voltages on connected equipment. It may not give full protection for extreme over voltage transients such as those resulting from a close lighting strike. **7.** This product utilises intellectual property in the form of registered designs, trademarks, and/or patents. Such intellectual property remains the property of Legrand in all cases. **8.** This product has been designed to operate in ambient temperatures -5°C to 25°C, occasionally reaching 35°C. **9.** Stated lifespan is an average. Actual lifespan will vary according to individual circumstances. **10.** Extended exposure to UV rays (such as exposure to direct sunlight) may cause discolouration of this product. **11.** The material in this product may vary in colour from batch to batch. Colour matching from one batch to another cannot be guaranteed.

### Warranty

Legrand warrants this product for a period of 3 years from the date of purchase. These goods come with guarantees that cannot be excluded under the Australian and New Zealand Consumer Laws. You are entitled to a replacement or a refund for a major failure and for compensation for any other reasonably foreseeable loss or damage. You are also entitled to have the goods repaired if the goods fail to be acceptable quality and the failure does not amount to a major failure. See the Warranty card enclosed with this product for further details.

### Customer Service

For all Customer Service and Technical Support please call Monday to Friday during business hours.

Legrand Australia  
1300 369 777  
www.hpm.com.au

Legrand New Zealand  
0800 476 009  
www.hpm.co.nz

ABN: 31 000 102 661